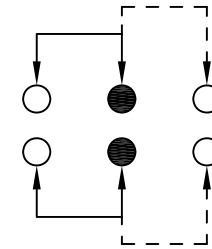
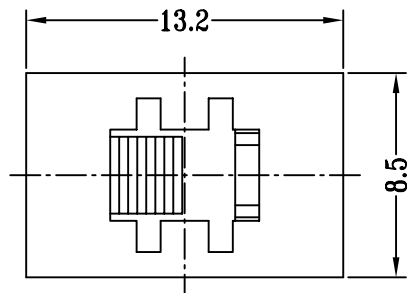
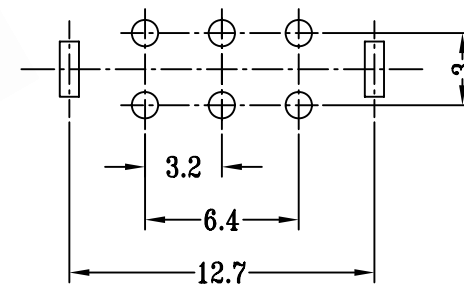
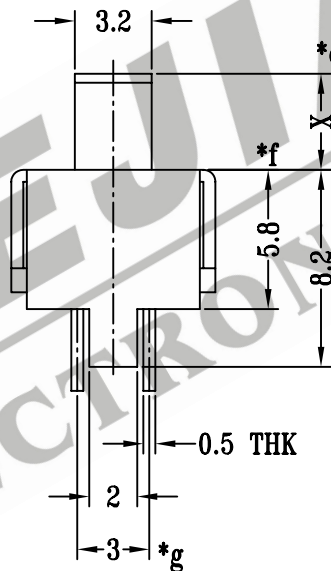
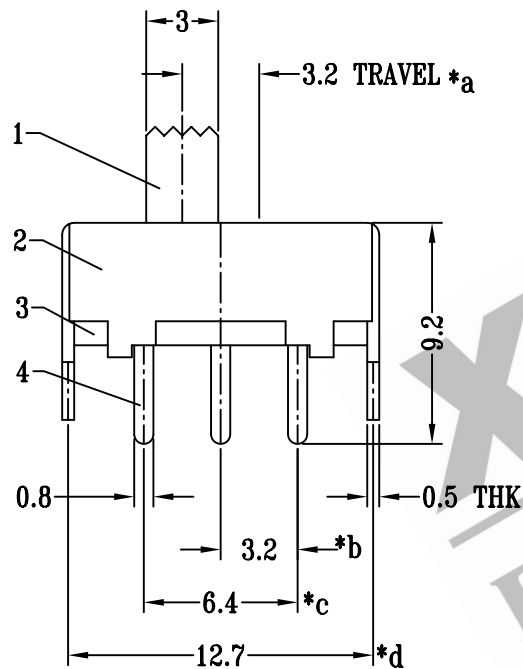


CAD FILE:



SCHEMATIC(NON-SHORTING)



P.C.B LAYOUT

注:带"\*"表示关键尺寸(7个)

				TOLERANCE UNLESS SPECIFIED	SHENZHEN XIEJIA ELECTRONICS CO.,LTD.			
8								
7								
6	CONTACT CLIP	BRASS STRIP	2	Ag PLATED	WITHIN: 1.5±0.1mm			
5	SPRING	STEEL WIRE	2	TEMPER	OVER : 1.5±0.2mm	ISSUE	DATE	DESCRIPTIONS
4	TERMINAL	STAINLESS STEEL	6	Ag PLATED OVER Ni PLATED	TITLE : VERTICAL SLIDE SWITCH		UNIT : MM	DRWG NO.: XJ-DR-SS22F04-00
3	BASE	PHENOLIC RESIN	1	NATURAL	MODEL: SS-22F04		SCALE: 3 : 1	DWN. ZHOUYU 2002-7-19
2	FRAME	STEEL STRIP	1	Ni PLATED	ALL MATERIALS MUST BE COMPLIANT TO ROHS			CHK'D FANGYING 2002-7-19
1	KNOB	POM	1	BLACK				APPD. KANGXINAN 2002-7-19
NO.	PART NAME	MATERIAL	Q'TY	FINISHING				